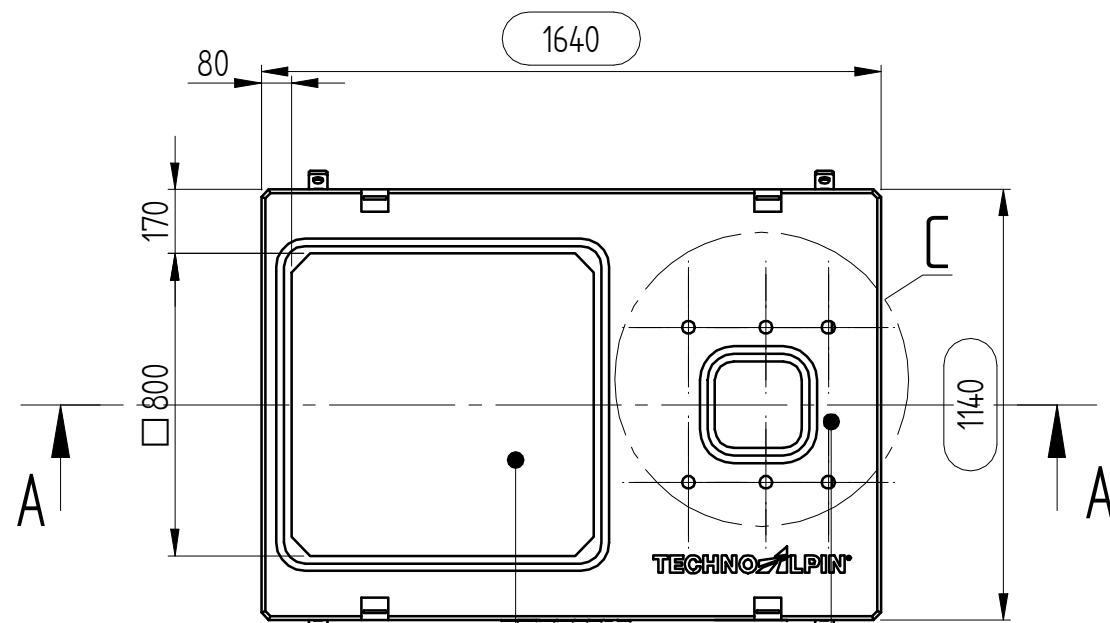
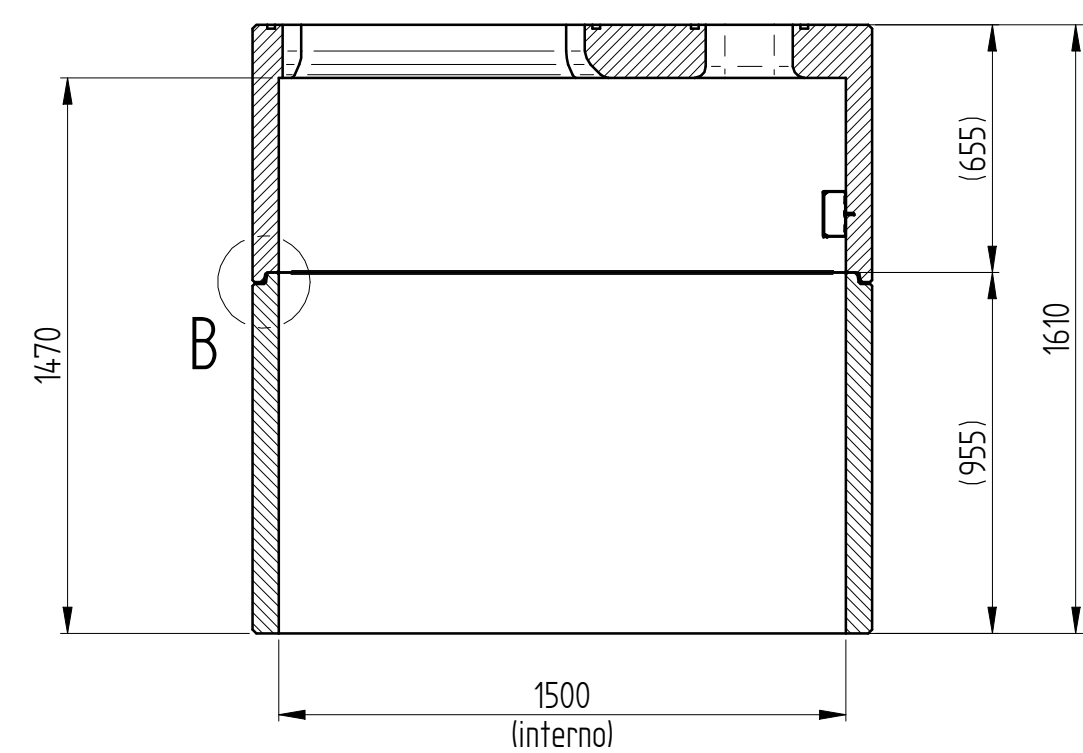


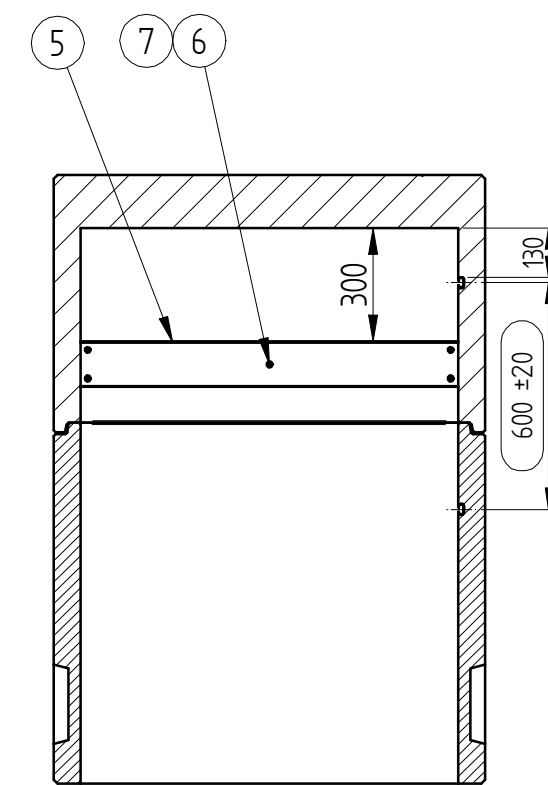
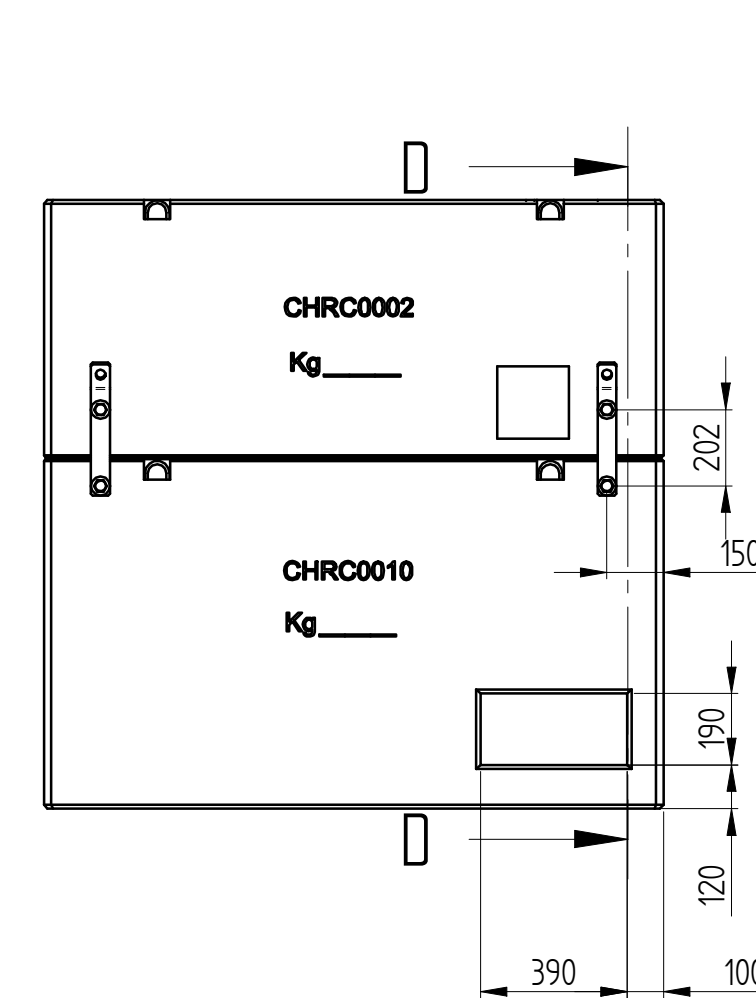
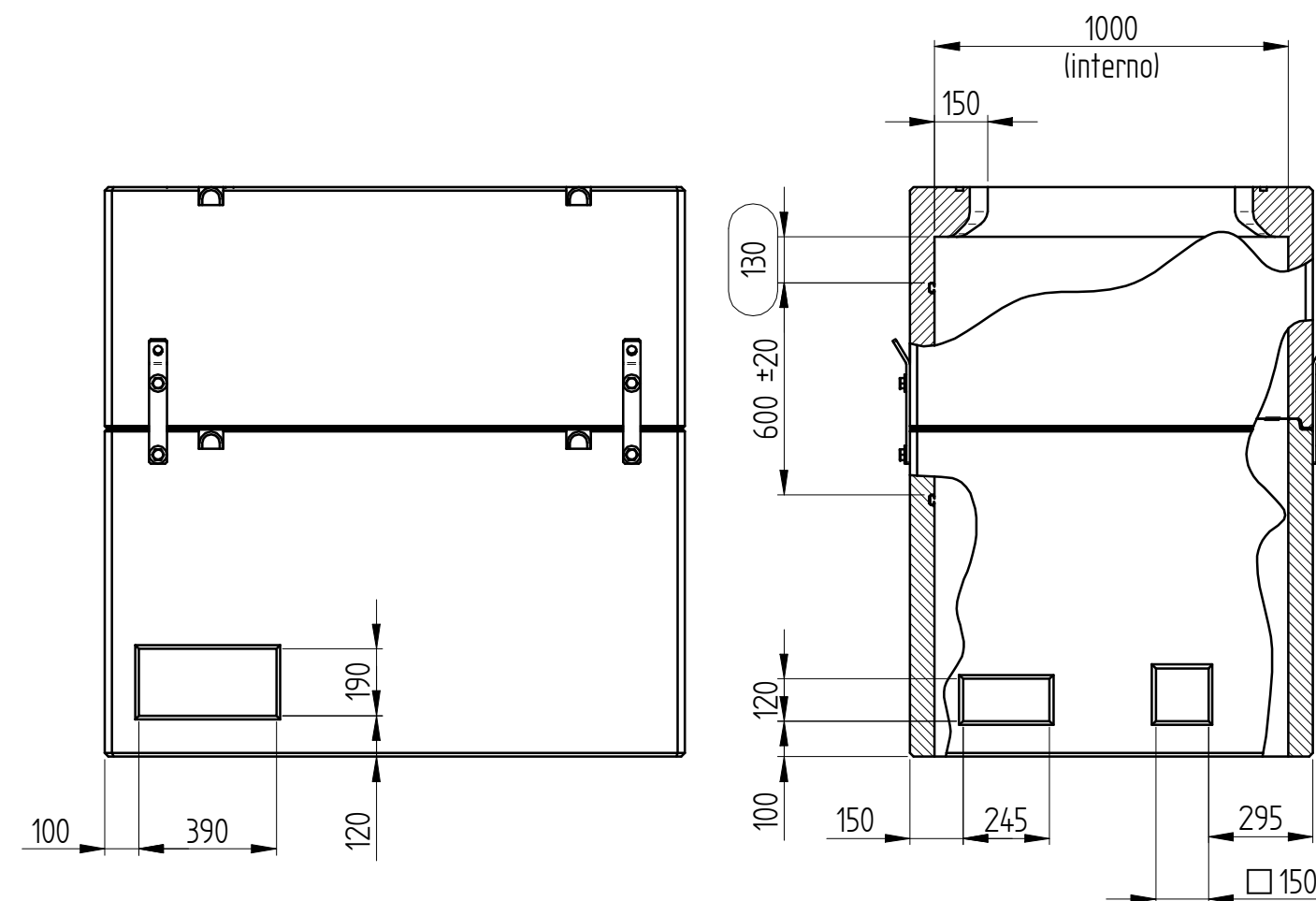
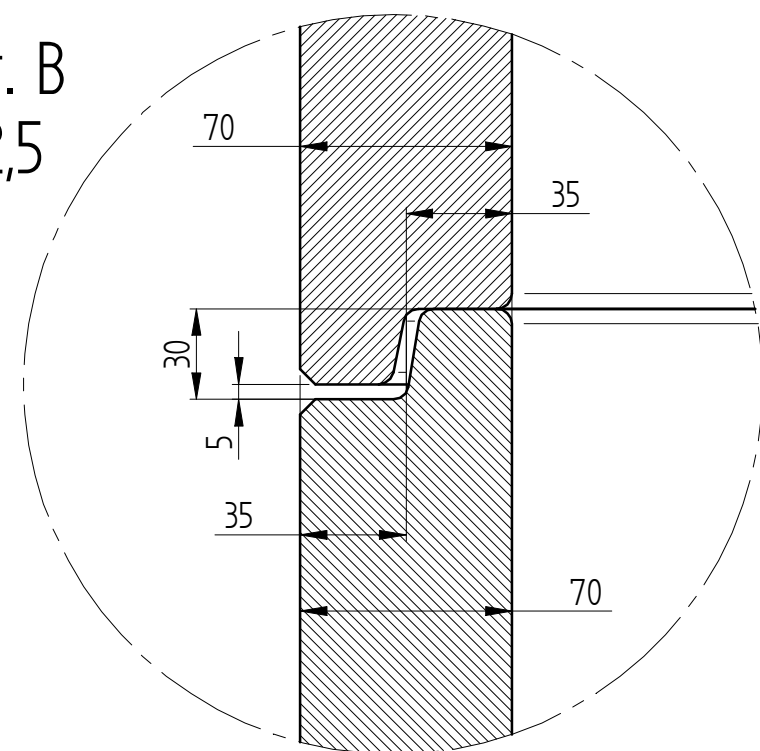
Sez. A-A



Einstiegsluke  
Chiusino  
Entrance  
Capot de regard

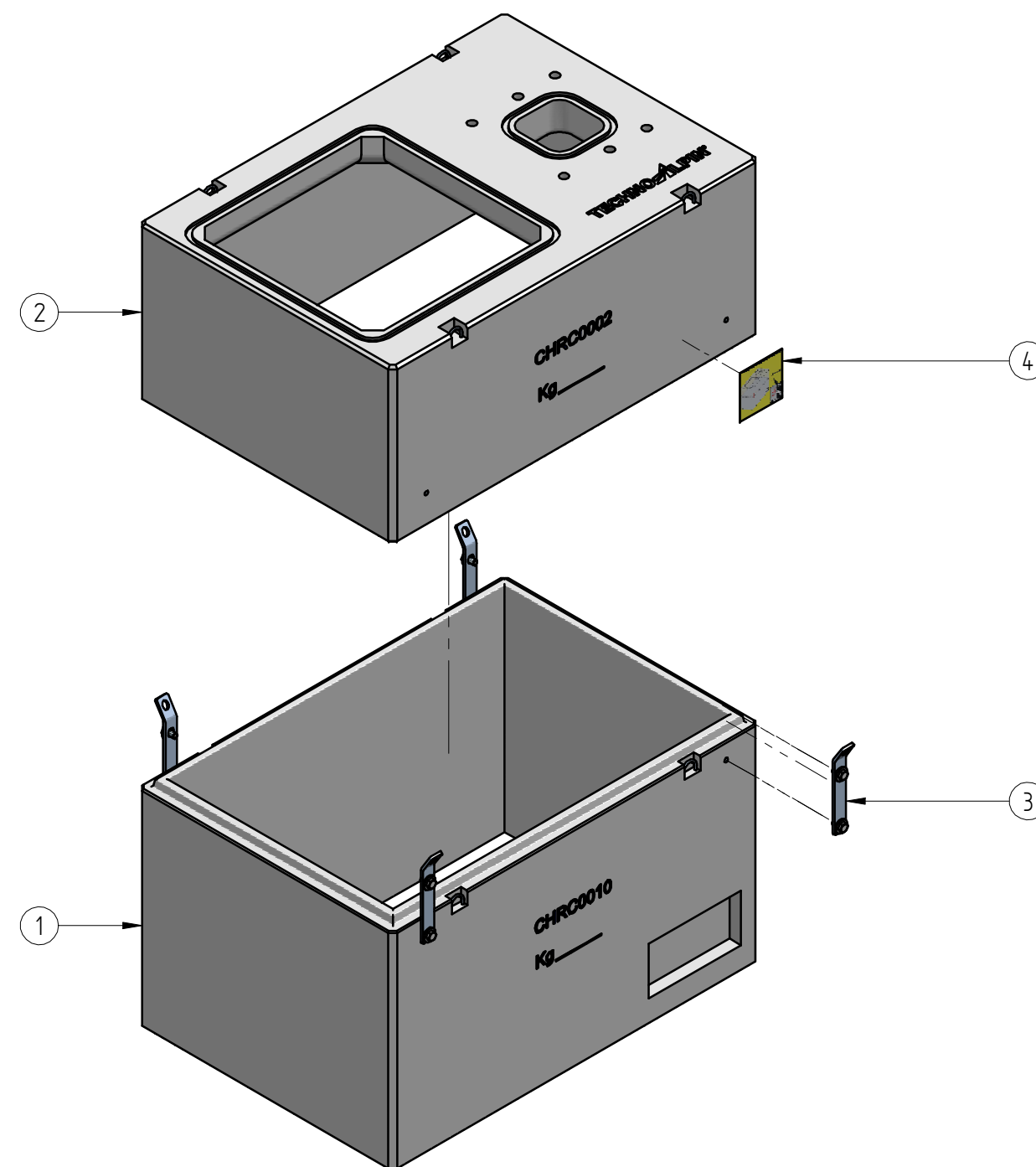
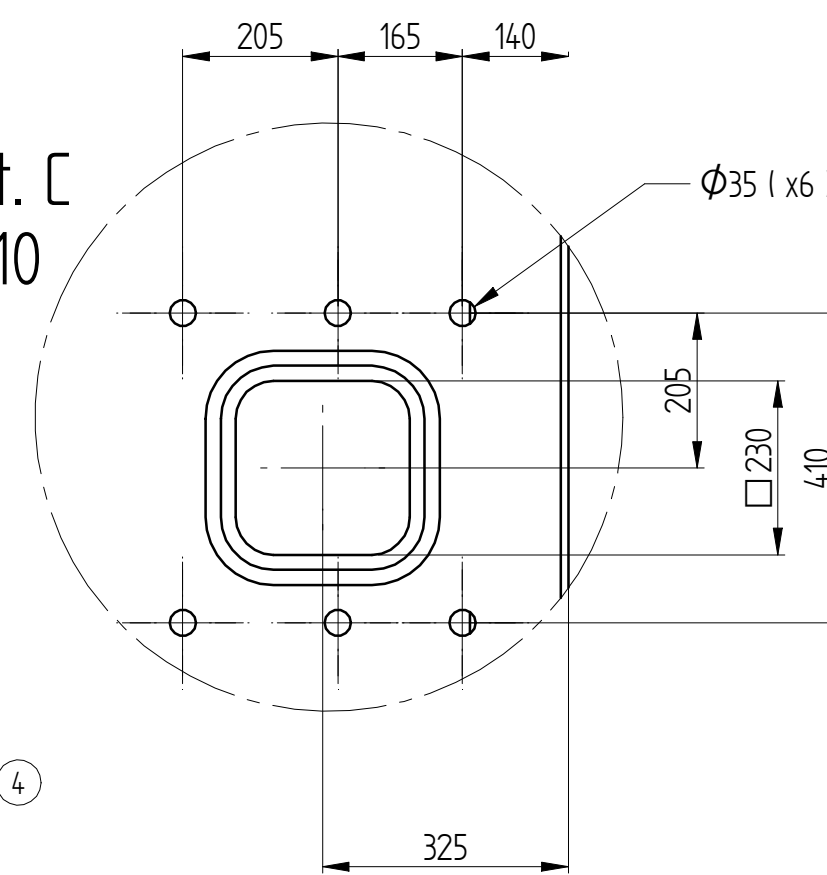
Lift 4.5m / Lanza / Turm 1.6m  
Lift 4.5m / Lancia / Torre 1.6m  
Lift 4.5m / Lance / Tower 1.6m  
Lift 4.5m / Lance / Tour 1.6m

Det. B  
1:2,5



Sez. D-D

Det. C  
1:10



Beilage 6

Pos.	Item	Rev.	Item description	Qty
7	SRD05040	00	Plug PVC 5mm with screw TGS 5 4,0x30	5
6	BLS05016	00	Washer M5x15 ZN UNI 6593	5
5	SKEE1348	00	Wiring channel T1-N 120x60 grey RAL7030	10
4	POSK0002	01	Sticker Pit indication for mounting	1
3	CHRC0012	00	Kif Flange for pit complete	1
2	CHRC0002	02	Pit lid 2 entrances (reinforced) 800x800 H	1
1	CHRC0010	02	Pit lower part reinforced H	1

Revision	Version	Description of the change	Date	Creator	Approver
03	A	CHRC0010 update	18.03.2021	Ambrosini S.	Ambrosini S.
02	A	Added Halfen Profile, replaced logo Technoalpin	01.10.2018	MassimoZ	
01	A	Added cable canal	10.03.2017	Avesani L.	

Scale	1:1	Status of drawing	Item number	Revision	Version	Weight
Dimensioning unit	mm	Creator	Bruscagin	Approver	Panzani J.	1725 kg
Projection method	1st angle	Create date	18.09.2014	Approve date	05.03.2015	Page size
						A2
						Page
						1/1
						ISO 16016
						399931

**TECHNOALPIN**

CHRC0016  
03 A  
Pit for Lift 4.5m - 2 holes (entrance 800x800) H  
The reproduction, distribution and utilization of this document as well as the communication of its contents to others without express authorization is prohibited. Offenders will be held liable for the payment of damages. All rights reserved in the event of a patent, utility model, or design.